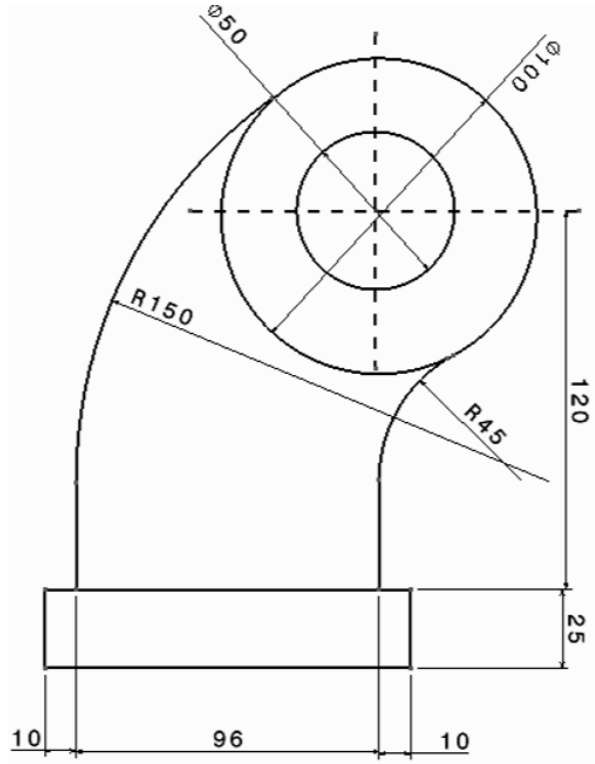


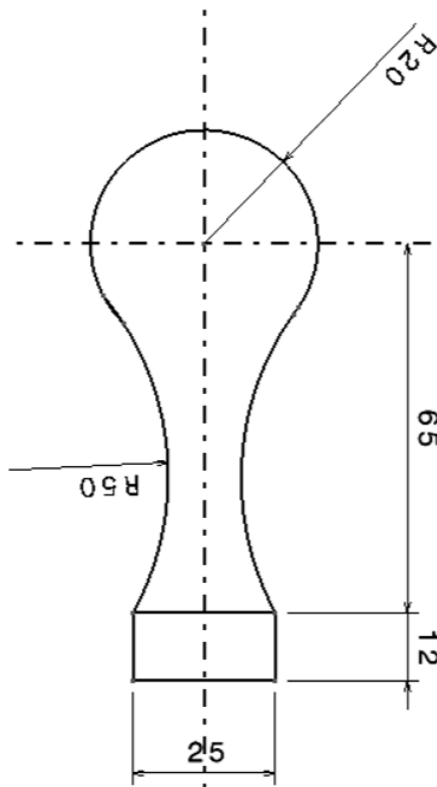
MSME TECHNOLOGY CENTRE KOLKATA

THESE ARE 2D DRAWING EXERCISES OF DIFFERENT SOFTWARES (ALL THE DIMENSIONS ARE IN mm)

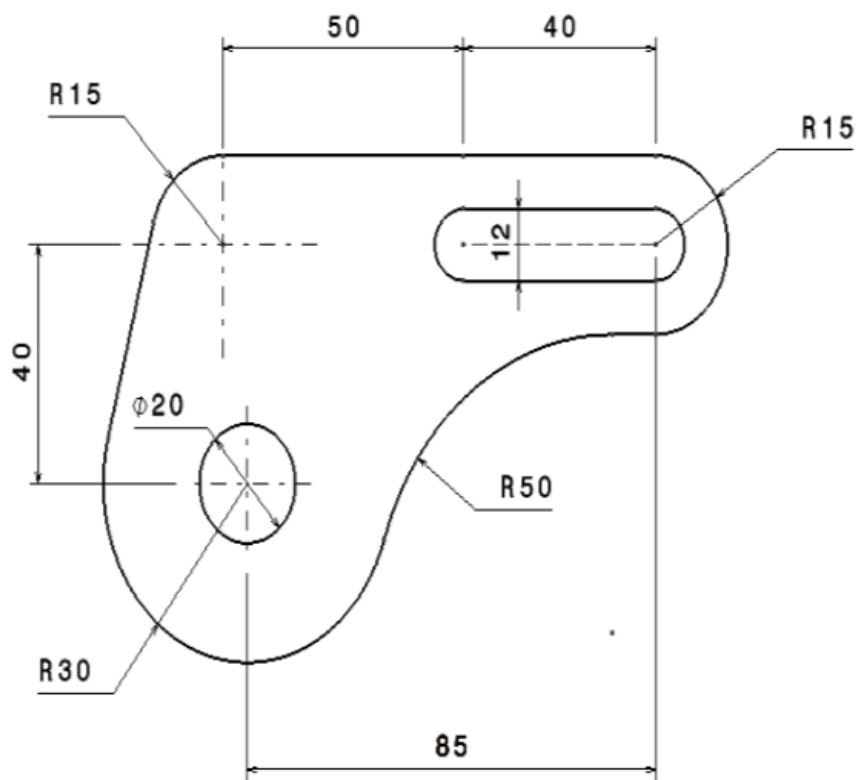
1)



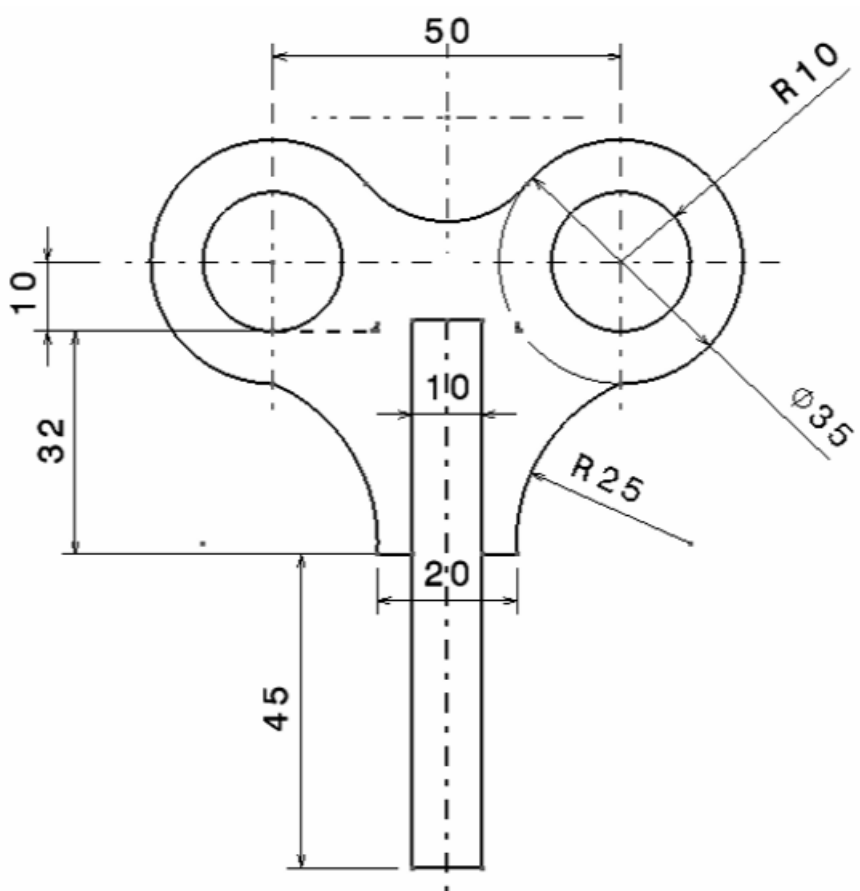
2)



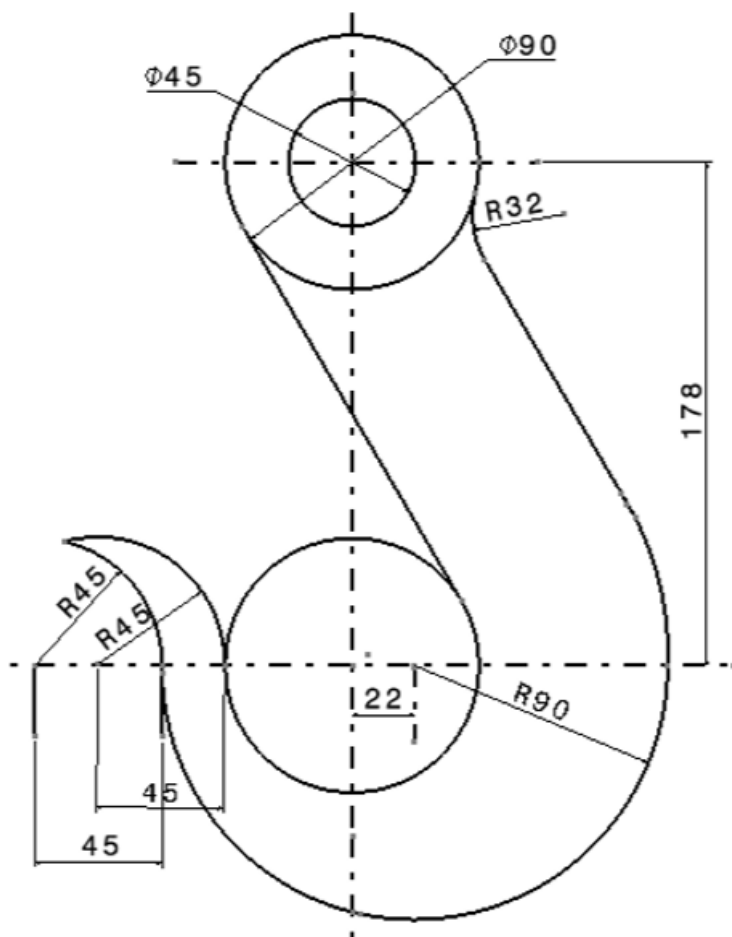
3)



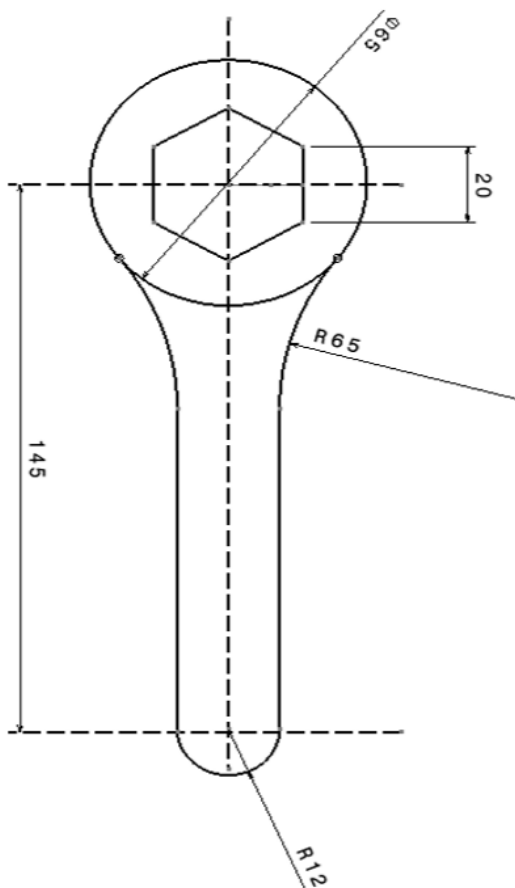
4)



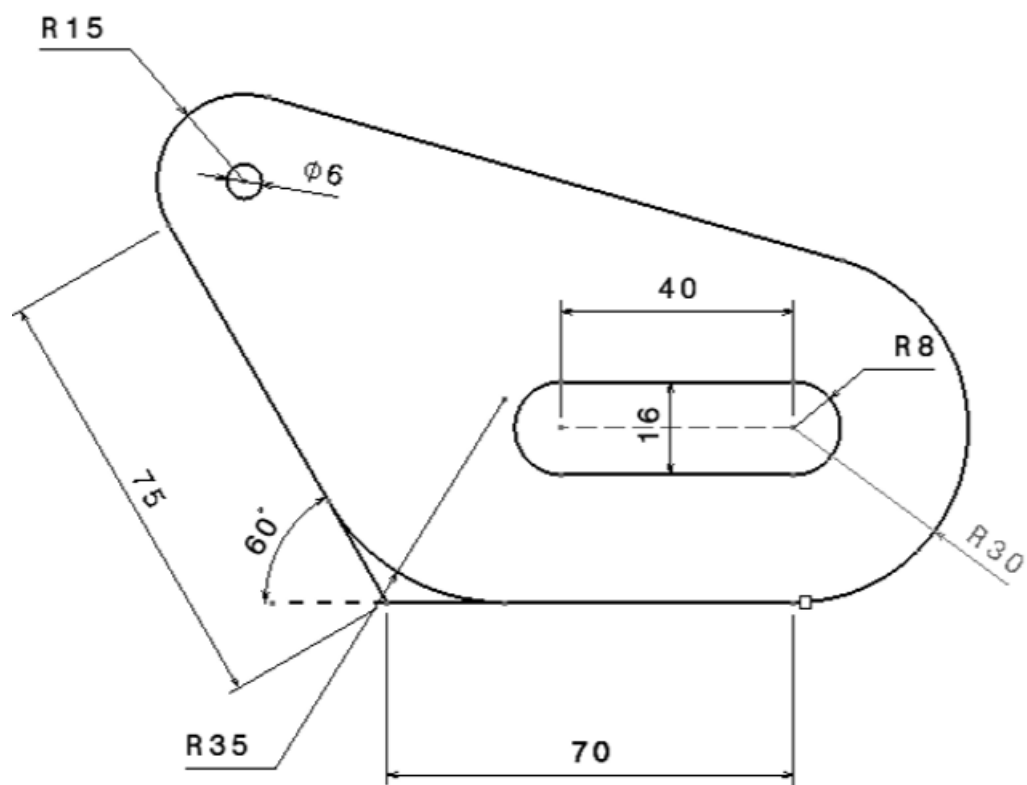
5)



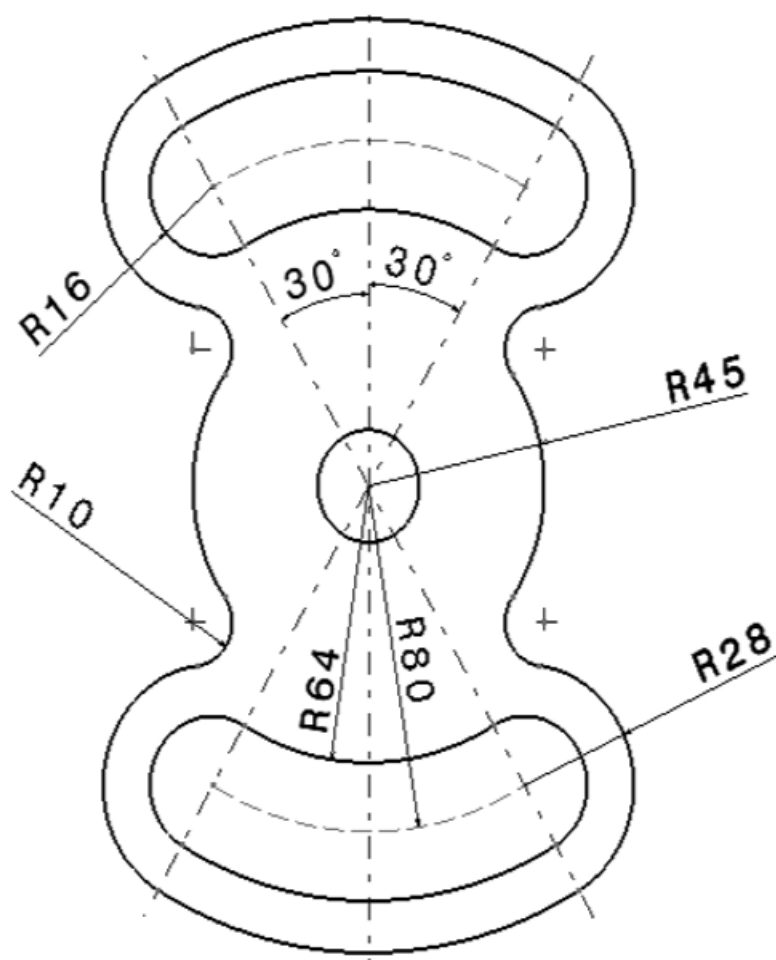
6)



7)

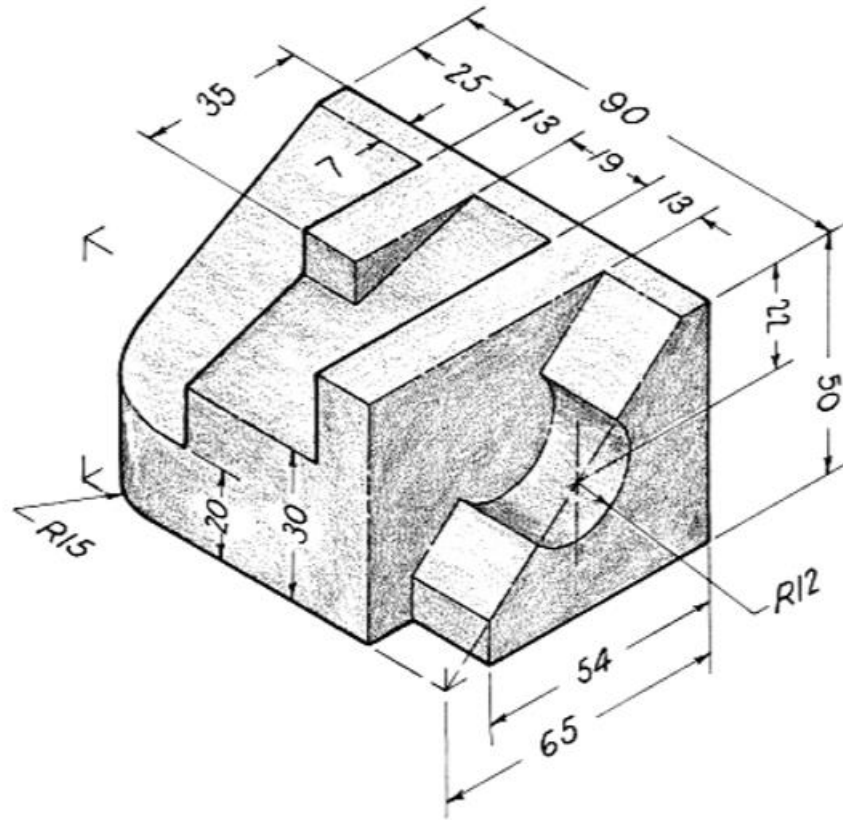


8)

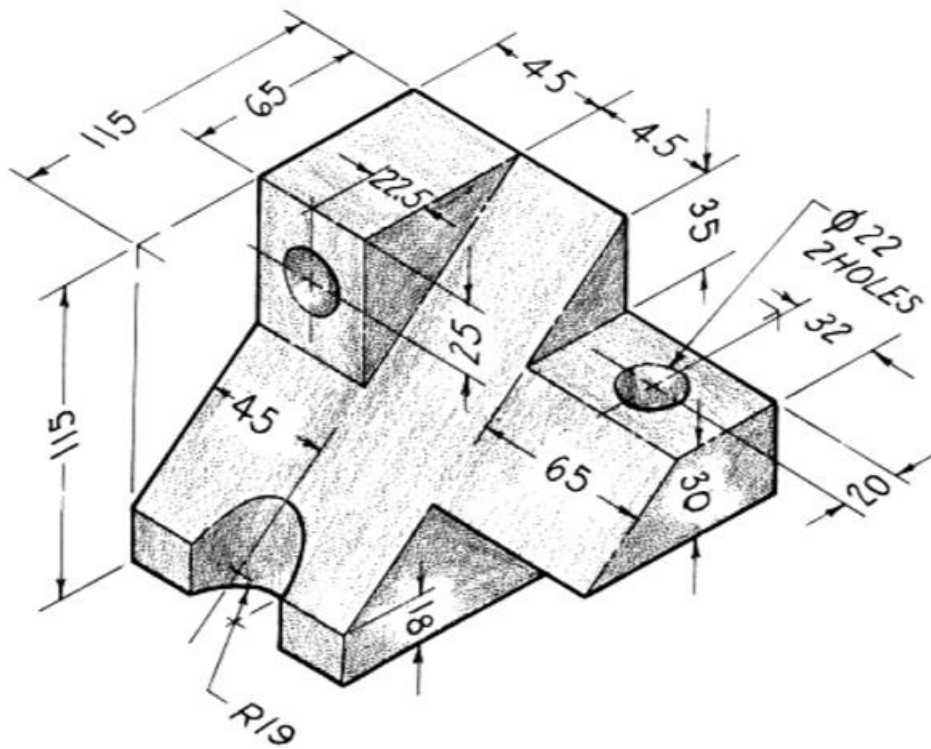


THESE ARE SOME 3D MODELS WHICH CAN BE DRAWN IN DIFFERENT SOFTWARES (ALL THE DIMENSIONS ARE IN mm) ALSO YOU CAN GENERATE ITS ORTHOGRAPHIC VIEWS IN FIRST OR THIRD ANGLE PROJECTION ALONG WITH IT DIMENSIONS.

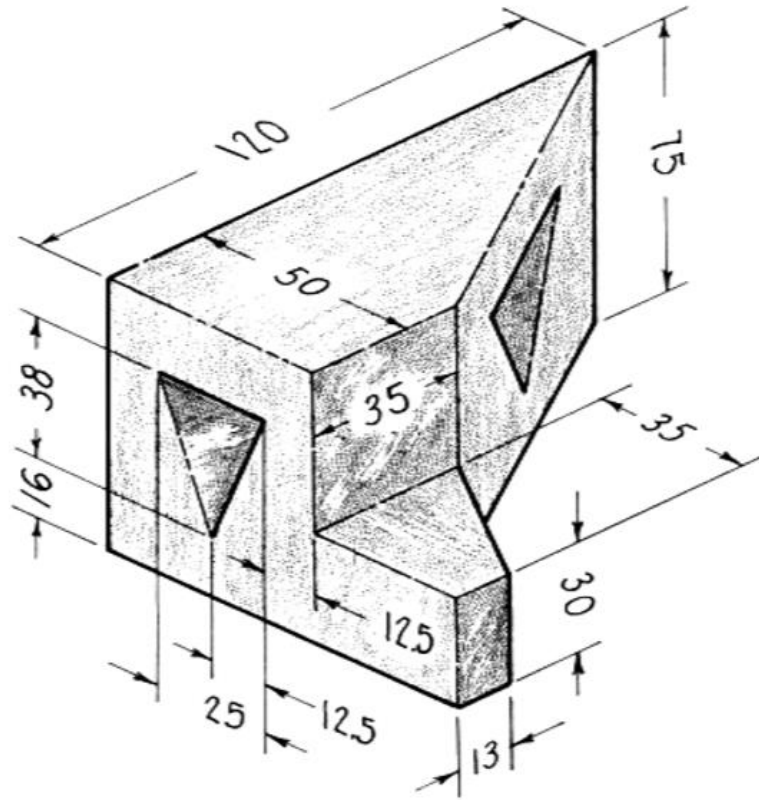
1)



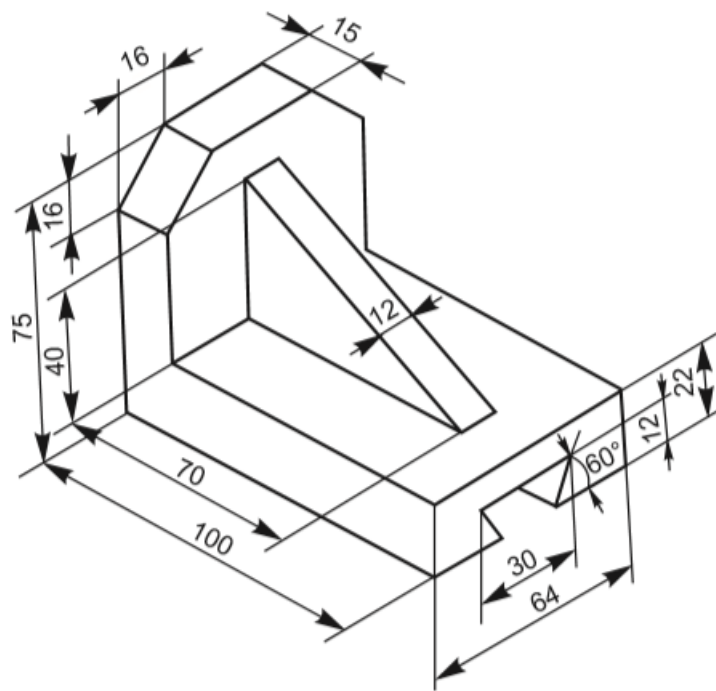
2)



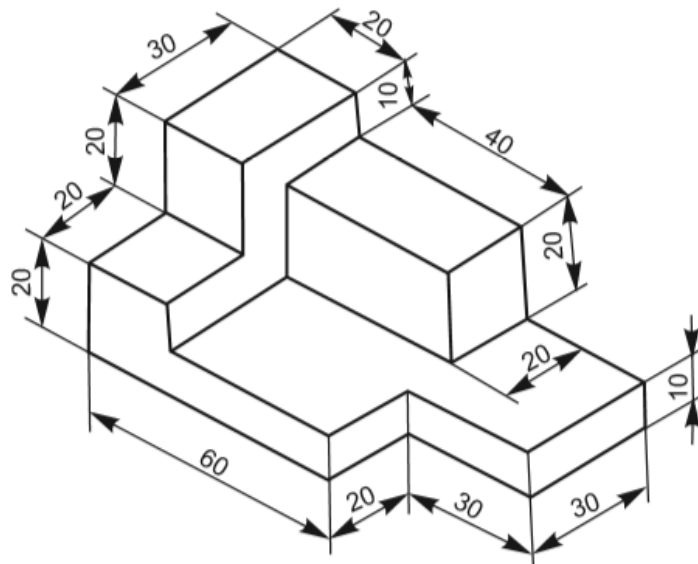
3)



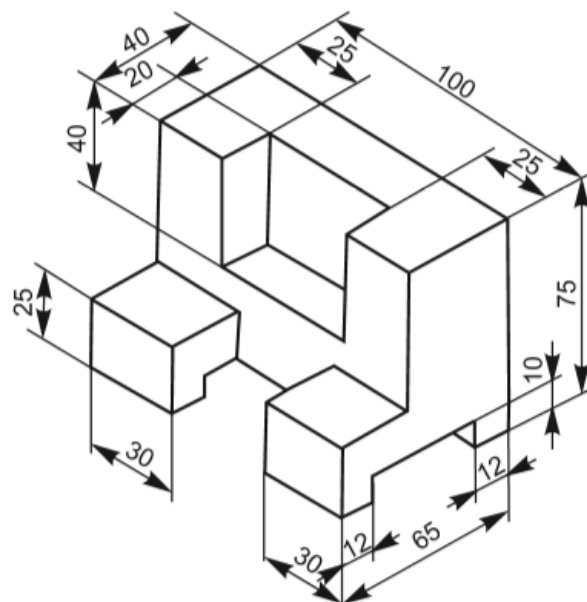
4)



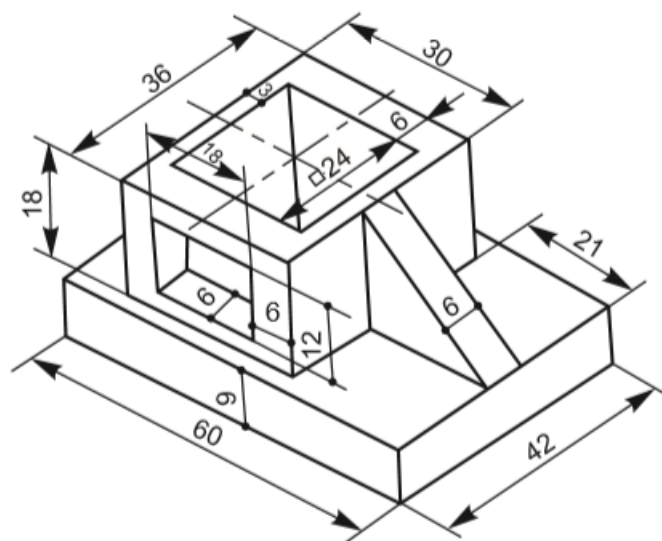
5)



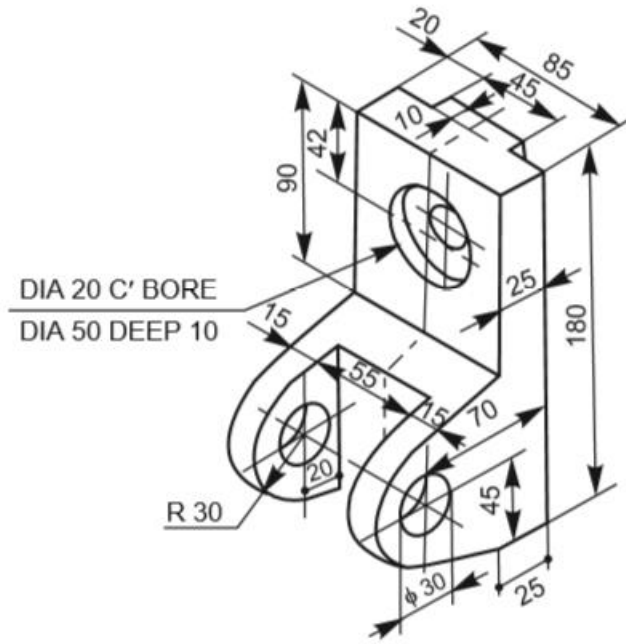
6)



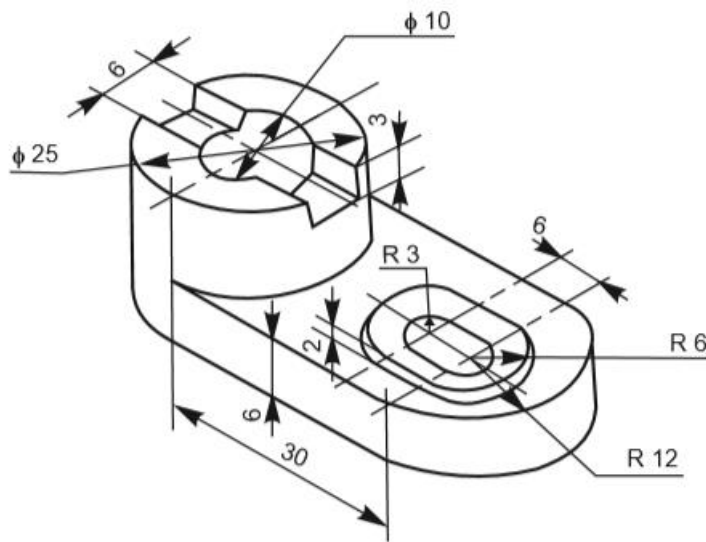
7)



8)



9)



10)

