
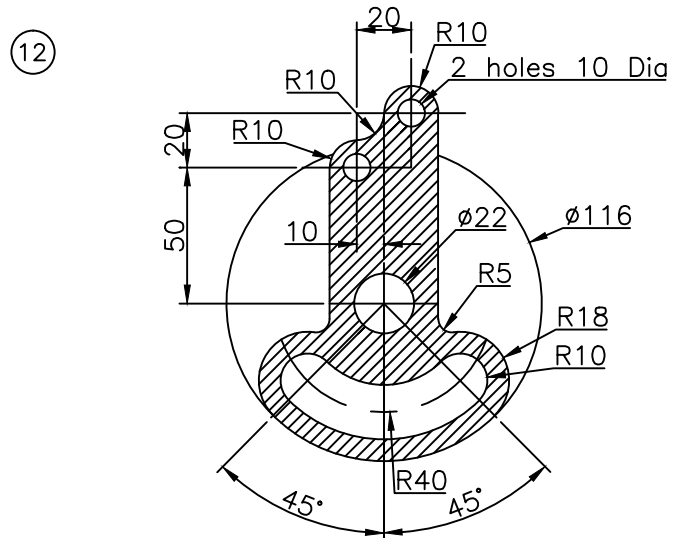
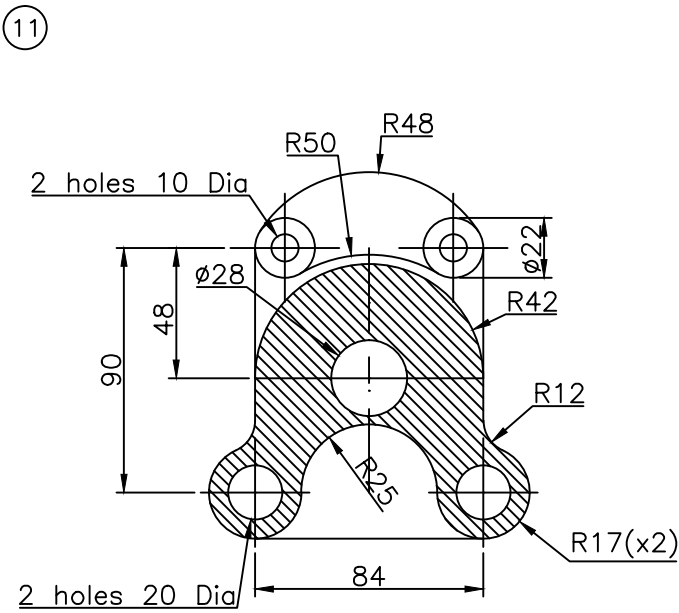
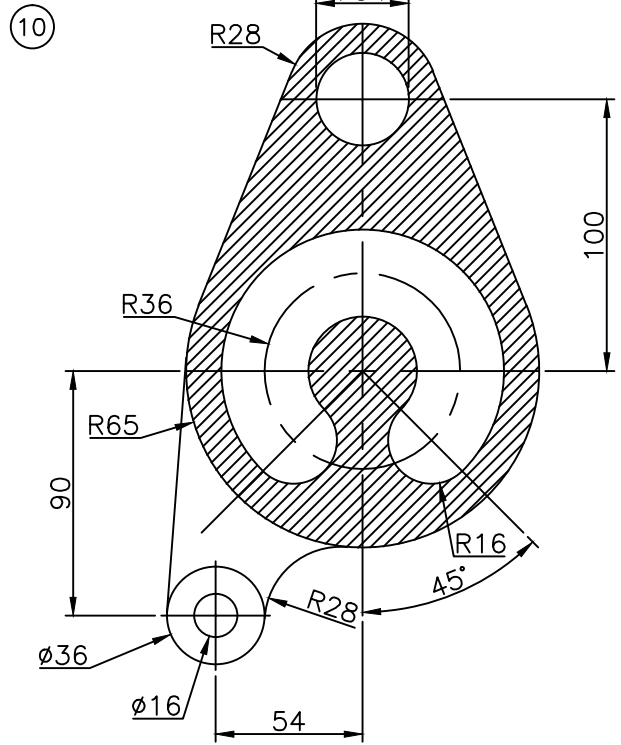
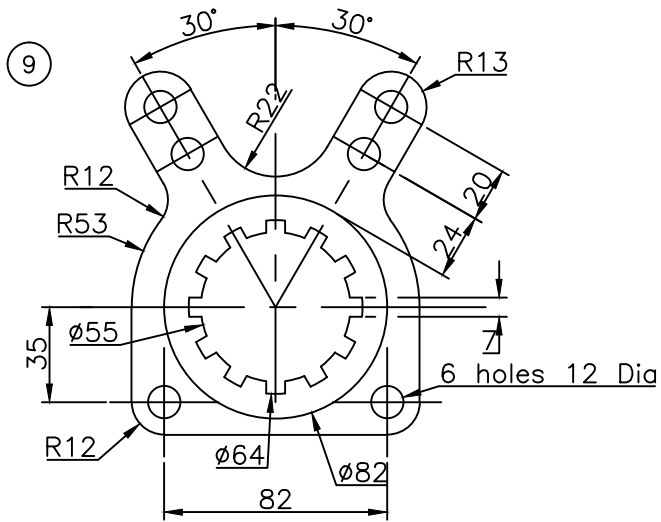
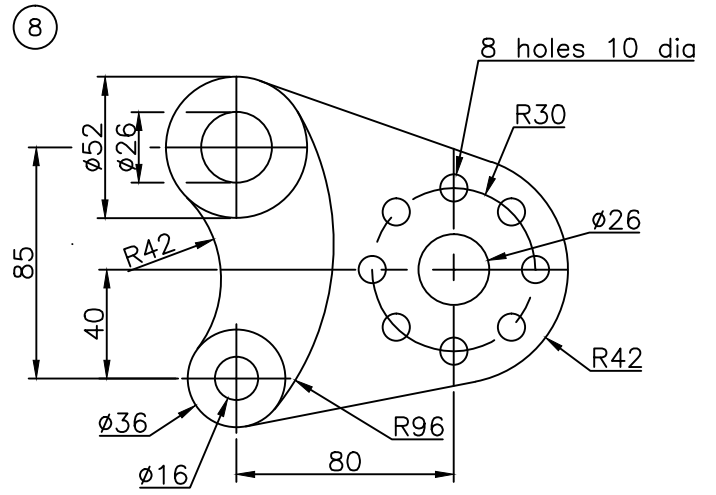
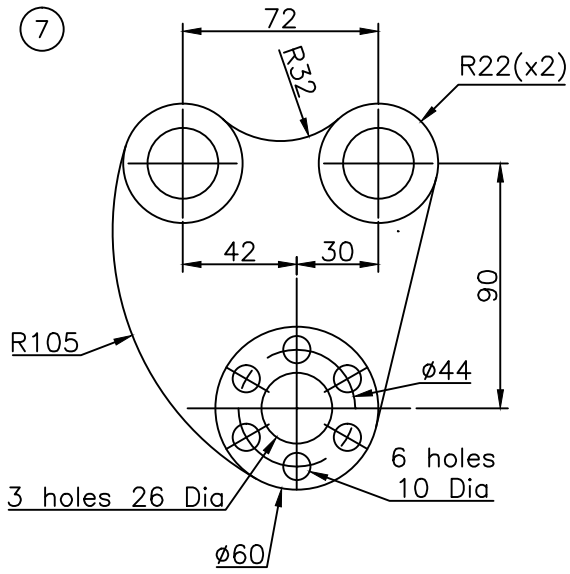

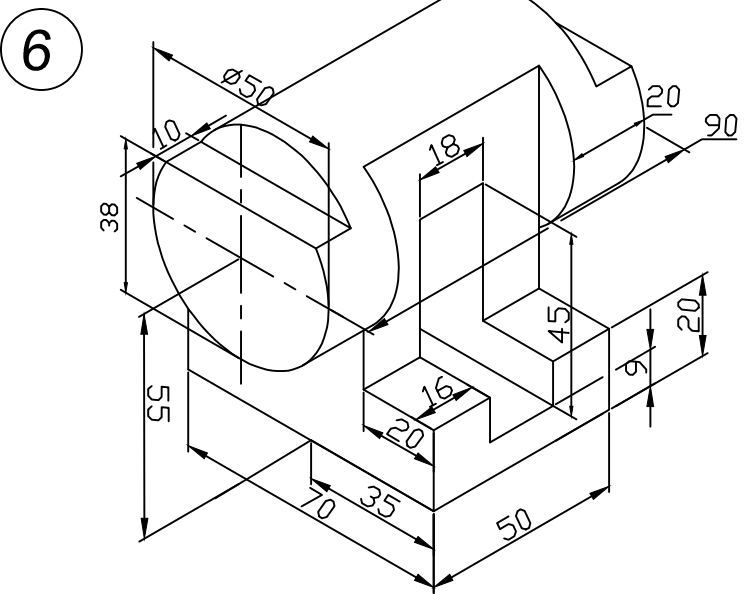
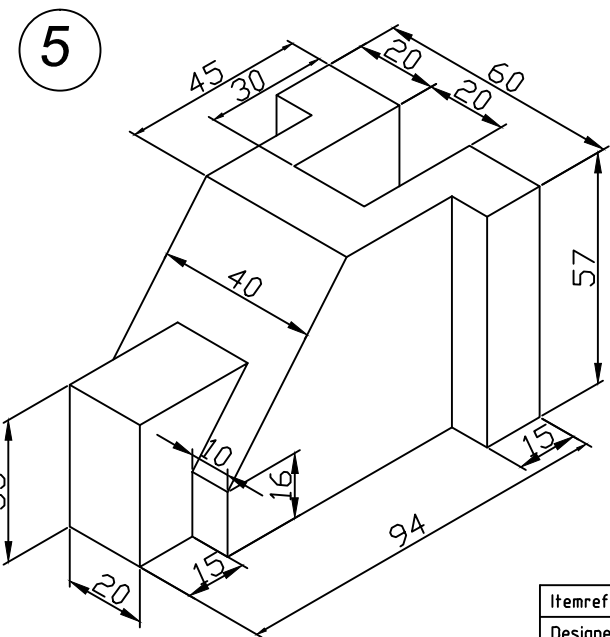
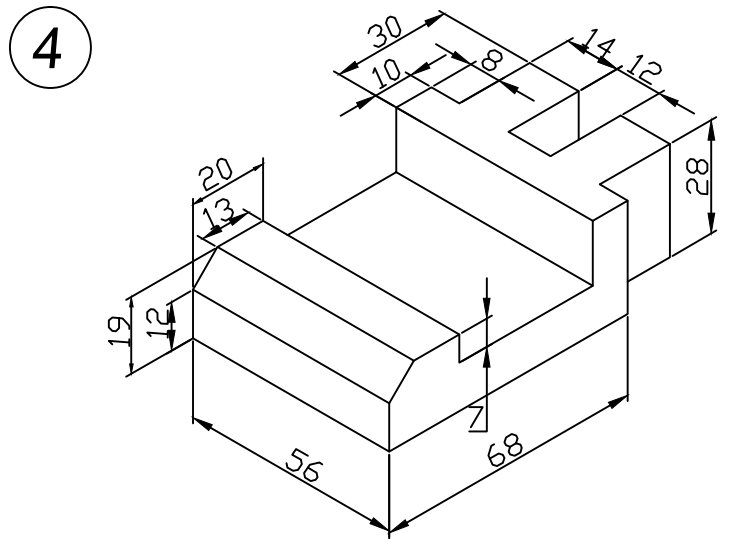
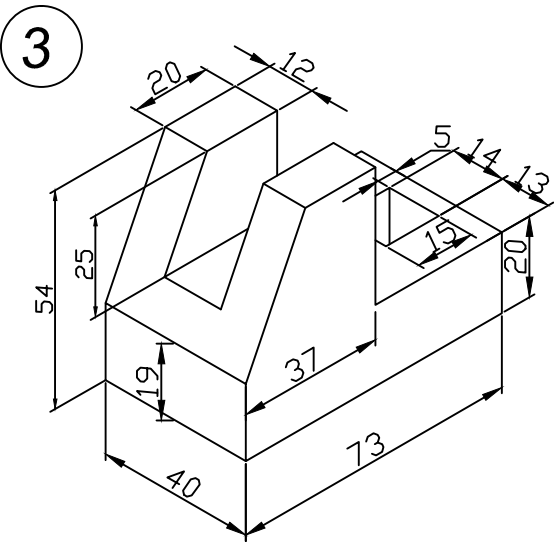
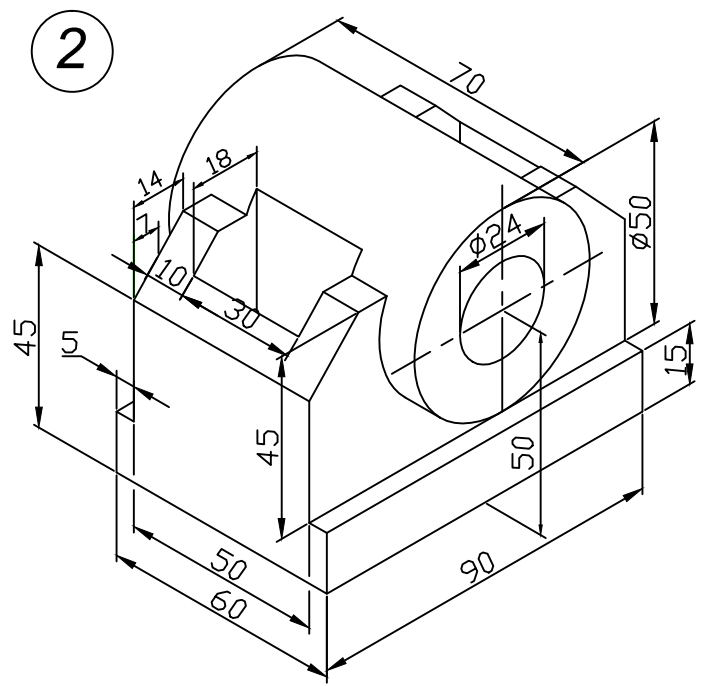
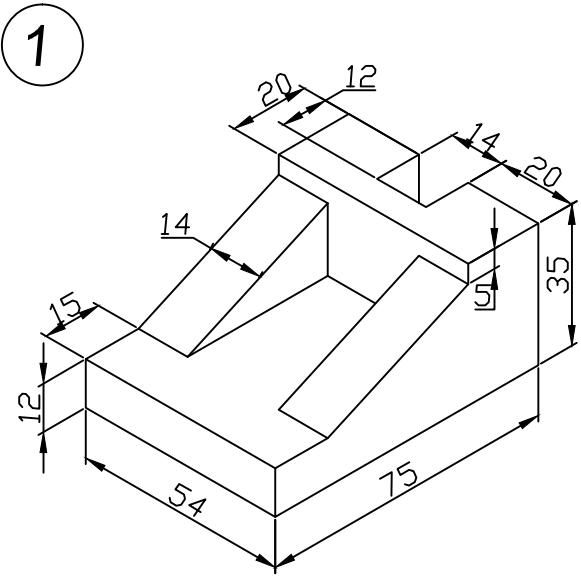



Itemref	Quantity	Title/Name, designation, material, dimension etc	Article No./Reference		
Designed by GOPAL	Checked by	Approved by - date	Filename	Date 22/03/2013	Scale NTS
 MSME TOOL ROOM-KOLKATA BON HOOGHLY INDUSTRIAL AREA KOLKATA-108, WESTBENGAL			2D DRAWING FOR PRACTICE MSMETR\CADLAB\DRG1		
				Edition 0	Sheet 1/1



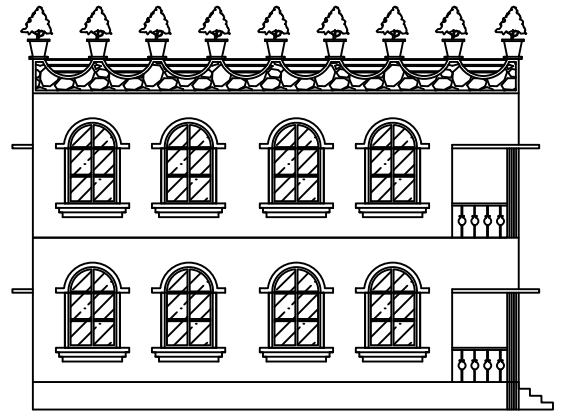
Itemref	Quantity	Title/Name, designation, material, dimension etc			Article No./Reference	
Designed by GOPAL	Checked by -	Approved by - date -	Filename -	Date 22/03/2013	Scale 1:1	
 MSME TOOL ROOM-KOLKATA BON HOOGHLY INDUSTRIAL AREA KOLKATA-108, WESTBENGAL			2D DRAWING FOR PRACTICE			
MSMETR\CADLAB\DRG3				Edition 0	Sheet 1/1	



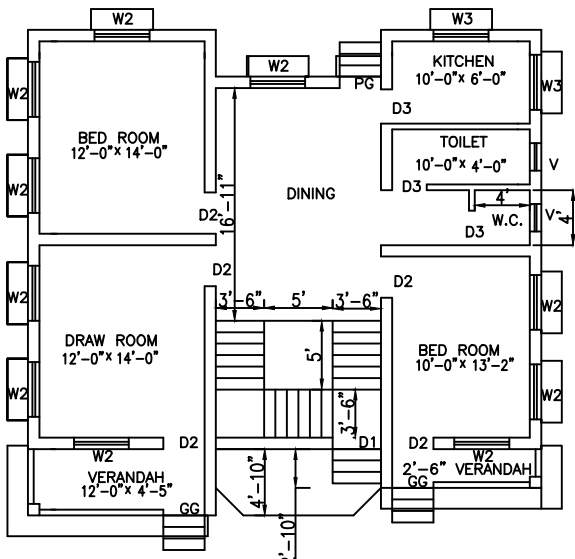
Itemref	Quantity	Title/Name, designation, material, dimension etc			Article No./Reference		
Designed by GOPAL	Checked by -	Approved by - date -	Filename -	Date - 22/03/2013	Scale -1:1		
 MSME TOOL ROOM - KOLKATA BON HOOGHLY INDUSTRIAL AREA KOLKATA-108, WESTBENGAL			SOLID MODELLING EXERCISE MSMETR\CADLAB\DRG6			Edition 0	Sheet 1/2



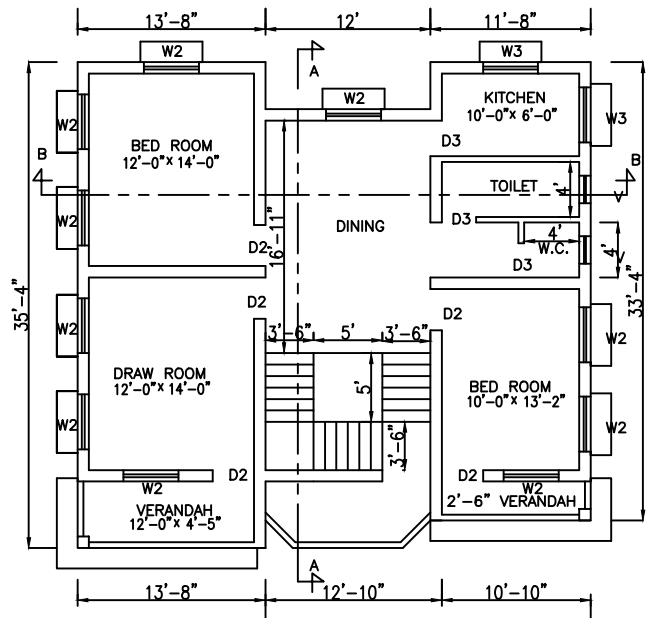
FRONT ELEVATION



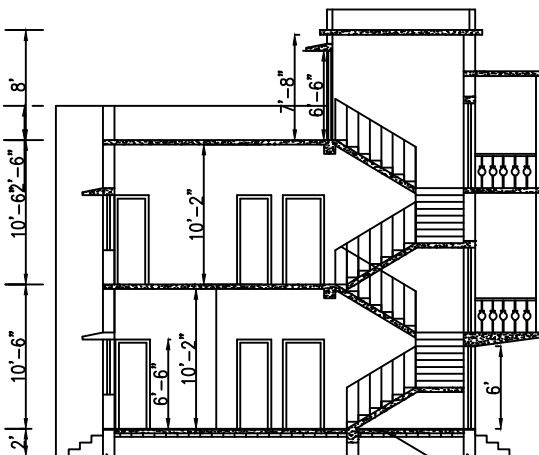
LEFT SIDE ELEVATION



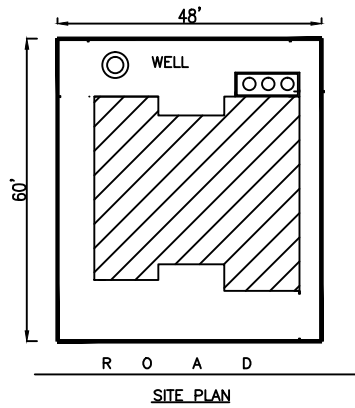
PRO.GROUND FLOOR



PRO.FIRST FLOOR



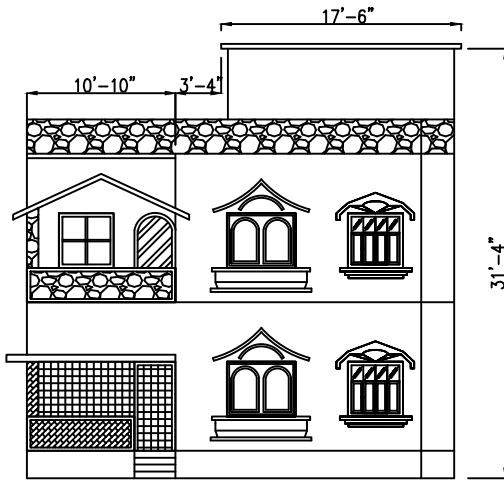
1" A.S.F. (1:2:4) over 3" thk P.C.C. (1:3:6)
And 3" thk B.F.S. & Sand filling
Section at AA



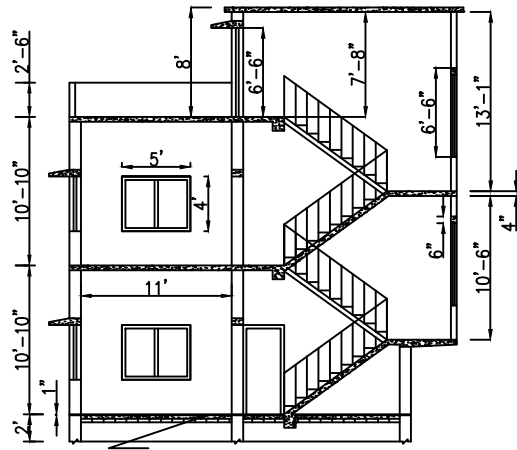
SITE PLAN

DOOR & WINDOW SCHEDULE				
DOOR				
S.No.	Mark	Width	Height	DESCRIPTION
1.	D1	3'-6"	6'-6"	PANNELED
2.	D2	3'-0"	6'-6"	PANNELED
3.	D3	2'-6"	6'-6"	PANNELED
4.	GG	3'-0"	6'-6"	GRILL GATE
WINDOW				
1.	W1	5'-0"	4'-0"	PANNELED
2.	W2	4'-0"	4'-0"	PANNELED
3.	W3	4'-0"	3'-0"	PANNELED
4.	V	2'-6"	2'-0"	GLAZED

Itemref	Quantity	Title/Name, designation, material, dimension etc	Article No./Reference
Designed by	-	Checked by	Approved by - date
MSME TOOL ROOM-KOLKATA		RESIDENTIAL BUILDING	
BON HOOGHLY INDUSTRIAL AREA KOLKATA-108, WESTBENGAL		MSMETRYCADLAB\DRG6	Edition 6 Sheet 1/2

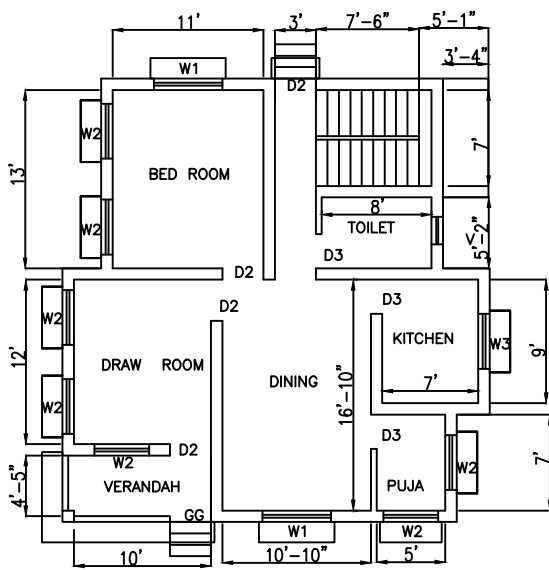


FRONT ELEVATION

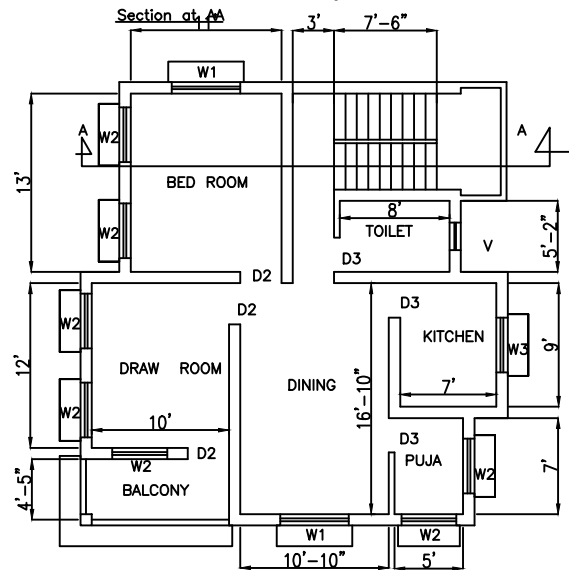


1" A.S.F. (1:2:4) over 3" thk P.C.C (1:3:6)
And 3" thk B.F.S. & Sand filling

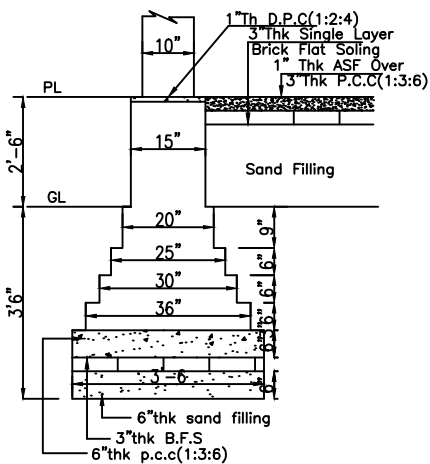
Section at AA



EXIS.GROUND FLOOR

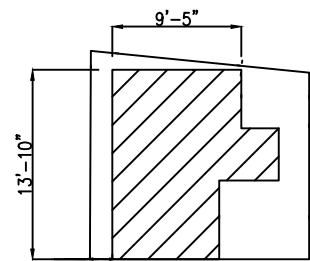


PRO.FIRST FLOOR



EXIS.BRICK FOUNDATION

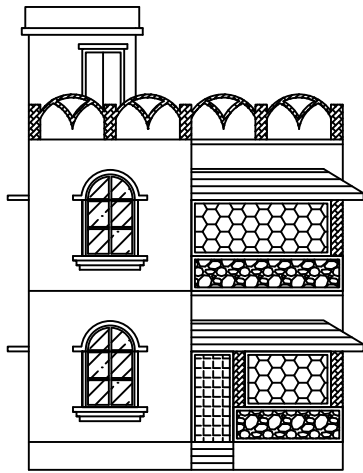
DOOR & WINDOW SCHEDULE			
DOOR			
No	Mark	Width	Hight DESCRIPTION
1.	D1	3'-6"	6'-6" PANNELED
2.	D2	3'-0"	6'-6" PANNELED
3.	D3	2'-6"	6'-6" PANNELED
4.	GG	3'-0"	6'-6" GRILL GATE
WINDOW			
1.	W1	5'-0"	4'-0" PANNELED
2.	W2	4'-0"	4'-0" PANNELED
3.	W3	4'-0"	3'-0" PANNELED
4.	V	2'-6"	2'-0" GLLAZED



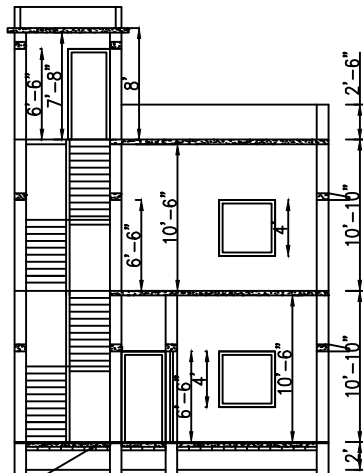
SITE PLAN



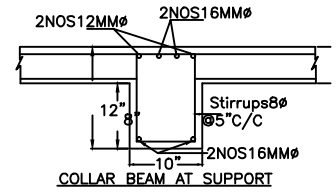
Itemref	Quantity	Title/Name, designation, material, dimension etc	Article No./Reference
Designed by	-	Approved by - date	Date -
Checked by	-	Filename	Scale -1:1
MSME TOOL ROOM-KOLKATA		RESIDENTIAL BUILDING	
BON HOOGHLY INDUSTRIAL AREA KOLKATA-108, WESTBENGAL		MSMETR\CADLAB\DRG6	Ed/Hon 0
			Sheet 1/2



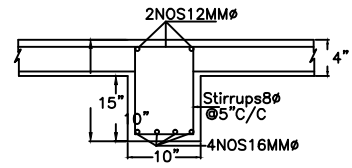
FRONT ELEVATION



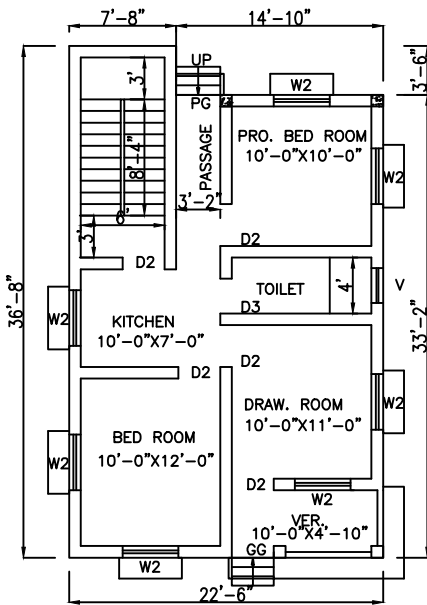
1" A.S.F.(1:2:4) over 3" thk P.C.C(1:3:6)
And 3" thk B.F.S. & Sand filling
Section at AA



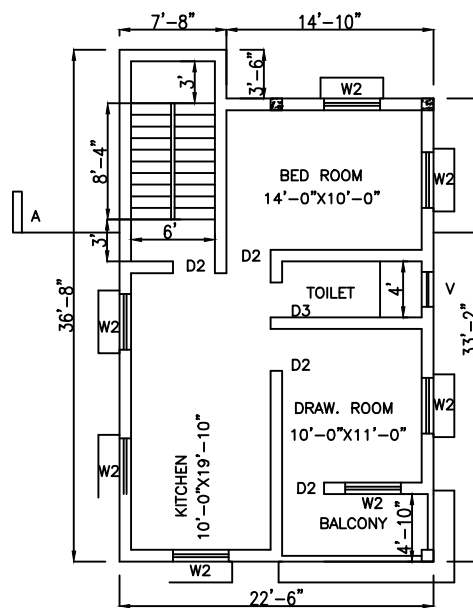
COLLAR BEAM AT SUPPORT



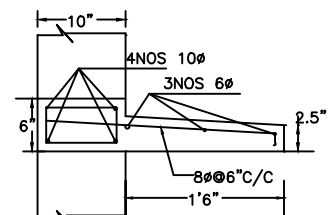
COLLAR BEAM AT MID SPAN



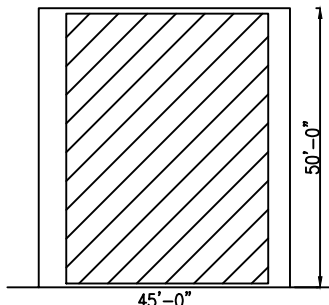
EXTN. GROUND FLOOR



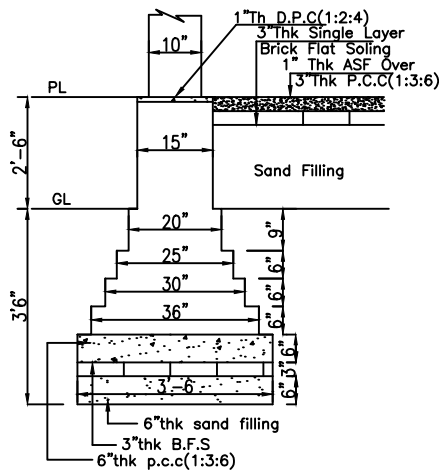
PRO. FIRST FLOOR



LINTEL WITH CHAJJA



SITE PLAN



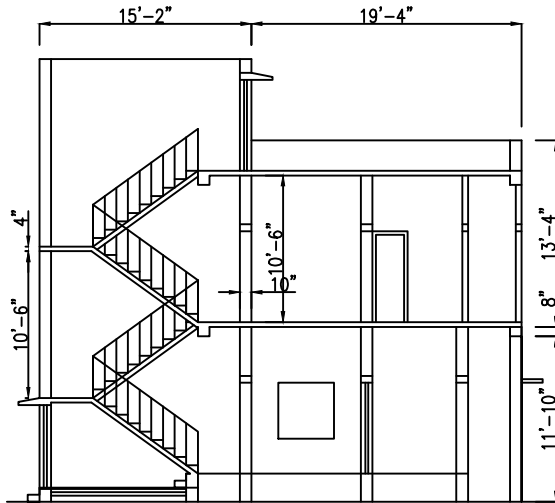
EXIS. BRICK FOUNDATION

DOOR & WINDOW SCHEDULE				
DOOR				
No.	Mark	Width	Hight	DESCRIPTION
1.	D1	3'-6"	6'-6"	PANNELED
2.	D2	3'-0"	6'-6"	PANNELED
3.	D3	2'-6"	6'-6"	PANNELED
4.	GG	3'-0"	6'-6"	GRILL GATE
WINDOW				
1.	W1	5'-0"	4'-0"	PANNELED
2.	W2	4'-0"	4'-0"	PANNELED
3.	W3	4'-0"	3'-0"	PANNELED
4.	V	2'-6"	2'-0"	GLAZED

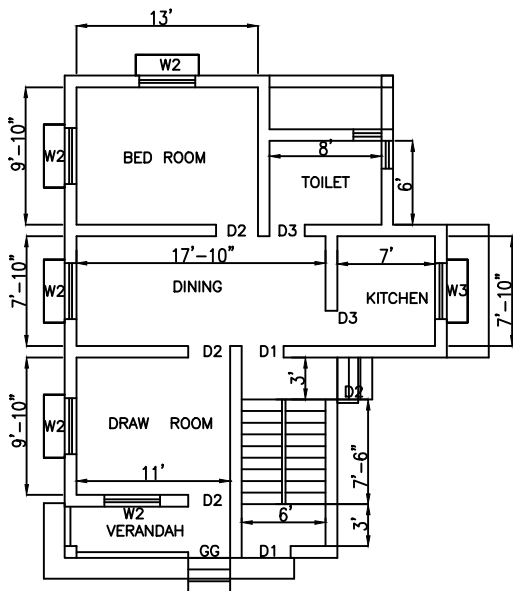
Itemref	Quantity	Title/Name, designation, material, dimension etc	Article No./Reference		
Designed by	Checked by	Approved by - date	Filename	Date	Scale
MSME TOOL ROOM-KOLKATA BON HOODLY INDUSTRIAL AREA KOLKATA-108, WESTBENGAL			RESIDENTIAL BUILDING		
			MSMETRYCADLAB\DRG6	Edition 0	Sheet 1/2



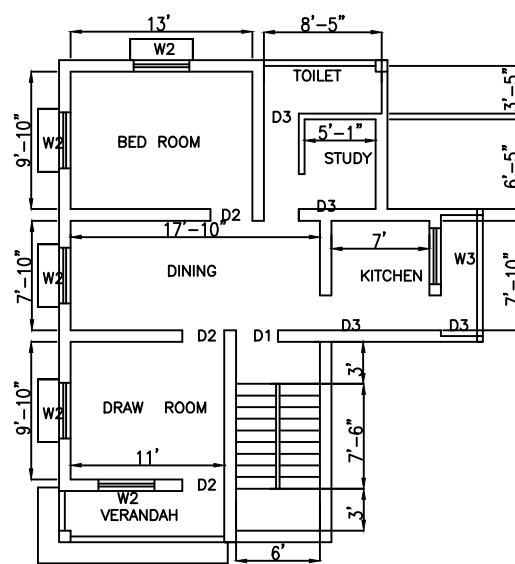
FRONT ELEVATION



1" A.S.F.(1:2:4) over 3" thk P.C.C(1:3:6)
And 3" thk B.F.S. & Sand filling Section at AA

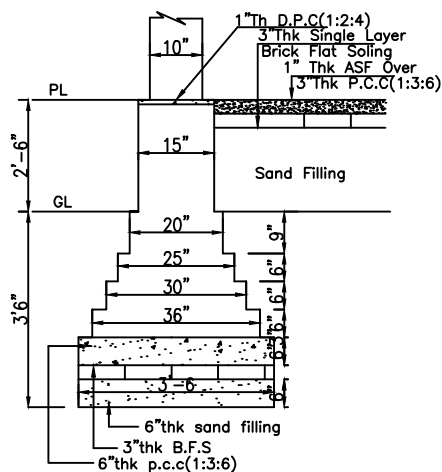


EXIS.GROUND FLOOR

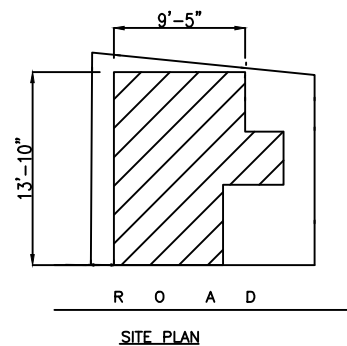


PRO.FIRST FLOOR

DOOR & WINDOW SCHEDULE				
DOOR				
No	Mark	Width	Hight	DESCRIPTION
1.	D1	3'-6"	6'-6"	PANNELED
2.	D2	3'-0"	6'-6"	PANNELED
3.	D3	2'-6"	6'-6"	PANNELED
4.	GG	3'-0"	6'-6"	GRILL GATE
WINDOW				
1.	W1	5'-0"	4'-0"	PANNELED
2.	W2	4'-0"	4'-0"	PANNELED
3.	W3	4'-0"	3'-0"	PANNELED
4.	V	2'-6"	2'-0"	GLLAZED



EXIS.BRICK FOUNDATION



SITE PLAN

Item/Ref	Quantity	Title/Name, designation, material, dimension etc	Article No./Reference
Designed by	Checked by	Approved by - date	File name
			Date
			Scale
MSME TOOL ROOM-KOLKATA		RESIDENTIAL BUILDING	
BON HOOGHLY INDUSTRIAL AREA		MSMETRY\CADLAB\DRG6	
KOLKATA-108, WESTBENGAL		Edition	Sheet
		0	1/2